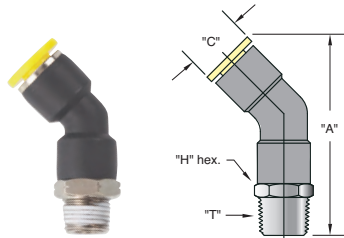


Male Angle Connector

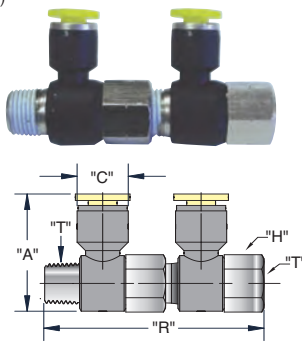
(10/pack)



Tubing	Thread "T"	Part No.	"H" Hex.	"A"	"C"
1/8"	#10-32 1/8" NPT	PQ-MA04N PQ-MA04P	7/16"	1.454" 1.474"	0.410"
5/32"	#10-32 1/8" NPT	PQ-MA05N PQ-MA05P	7/16"	1.454" 1.474"	0.410"
4 mm*	M5 x 0.8 R1/8	PQ-MA04M5 PQ-MA04MR	10 mm	1.454" 1.474"	0.410"
6 mm*	M5 x 0.8 R1/8 R1/4	PQ-MA06M5 PQ-MA06MR PQ-MA06M2	12 mm 10 mm 14 mm	1.556" 1.556" 1.616"	0.520"
1/4"	#10-32 1/8" NPT 1/4" NPT 3/8" NPT	PQ-MA08N PQ-MA08P PQ-MA08Q PQ-MA08W	1/2" 1/2" 9/16" 11/16"	1.620" 1.620" 1.682" 1.722"	0.520"
5/16"	1/8" NPT 1/4" NPT	PQ-MA10P PQ-MA10Q	9/16"	1.800"	0.580"
3/8"	1/8" NPT 1/4" NPT 3/8" NPT	PQ-MA12P PQ-MA12Q PQ-MA12W	11/16"	1.823" 1.923" 1.943"	0.720"
1/2"	1/4" NPT 3/8" NPT 1/2" NPT	PQ-MA16Q PQ-MA16W PQ-MA16Z	7/8"	1.965" 2.125" 2.195"	0.830"

Stack Elbow

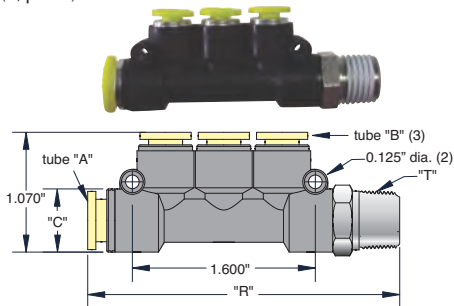
(5/pack)



Tubing	Thread "T"	Part No.	"A"	"C"	"R"	"H" Hex.
5/32"	#10-32 1/8" NPT	PQ-SE05N PQ-SE05P	0.980" 1.095"	0.410"	1.435"	5/16" 1/2"
1/4"	#10-32 1/8" NPT 1/4" NPT	PQ-SE08N PQ-SE08P PQ-SE08Q	1.165" 1.200" 1.365"	0.524"	2.250" 2.250" 2.600"	1/2" 11/16"
5/16"	1/4" NPT 3/8" NPT	PQ-SE10Q PQ-SE10W	1.425" 1.570"	0.580"	2.600" 2.900"	11/16"
3/8"	1/4" NPT 3/8" NPT	PQ-SE12Q PQ-SE12W	1.625" 1.690"	0.720"	2.530" 2.970"	11/16" 3/4"
1/2"	3/8" NPT 1/2" NPT	PQ-SE16W PQ-SE16Z	1.740" 1.950"	0.850"	2.970" 3.160"	3/4" 1"

Manifold Mount

(5/pack)



Tube "A"	Tube "B"	Thread "T"	Part No.	"C"	"R"
1/4"	5/32"	1/8" NPT	PQ-MM0805P	0.524"	2.665"
5/16"	1/4"	1/4" NPT	PQ-MM1008Q	0.580"	2.820"

* Fittings have a green release button.

Note: Fittings with pipe thread NPT, R1/8, R1/4 and R3/8 are supplied with pre-applied sealant.